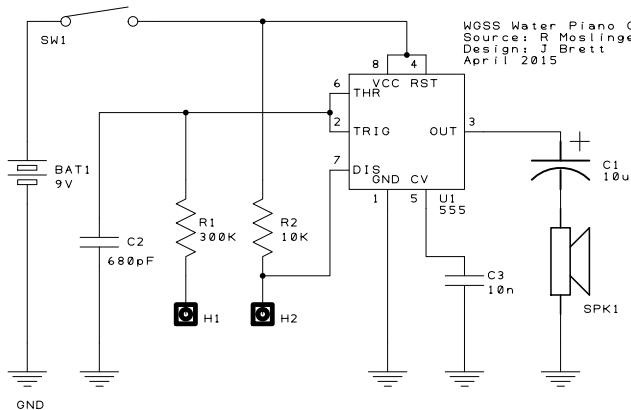


WGSS Water Piano Circuit
Source: R Moslinger
Design: J Brett
April 2015



H1 to a washer. H2 to user's hand.
Place washer in a thin layer of water
on a desk. Touch water with other
hand. Pitch changes with distance.